



VINEYARD PHASE 2 TOWNHOMES - DESIGN REVIEW 2 FENCE PLAN



LEGEND

-  Fence Location
-  Access Gate



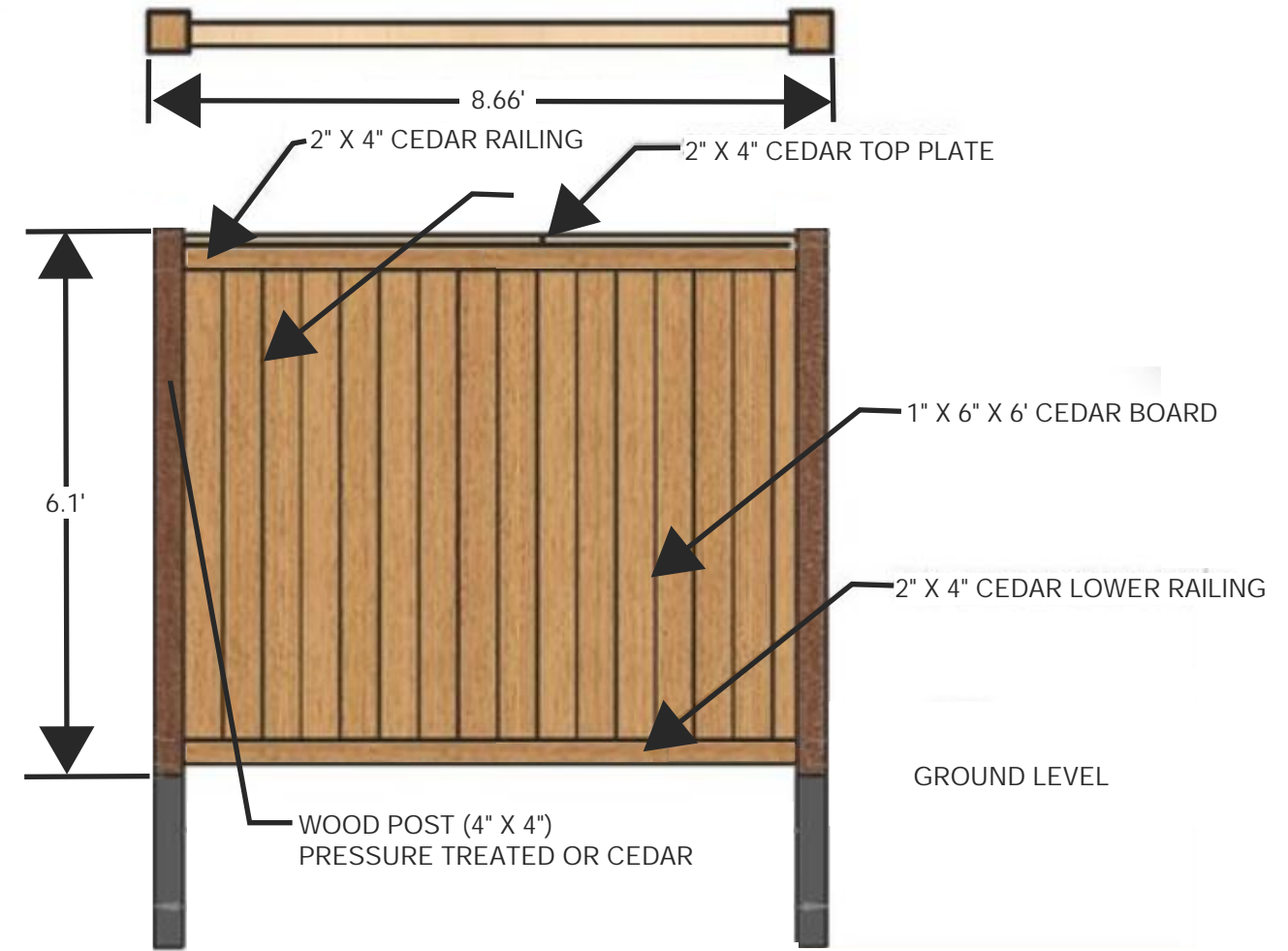
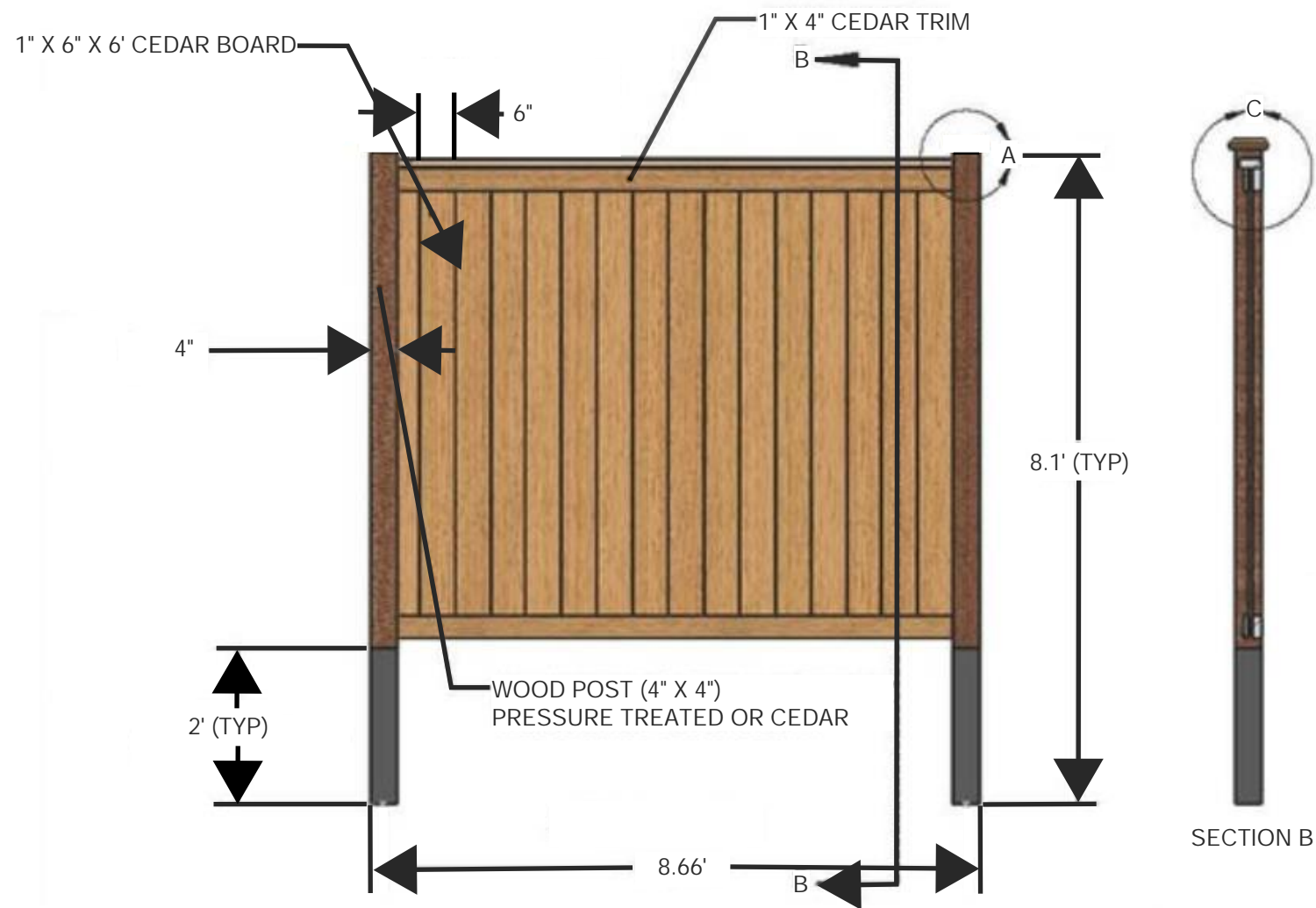
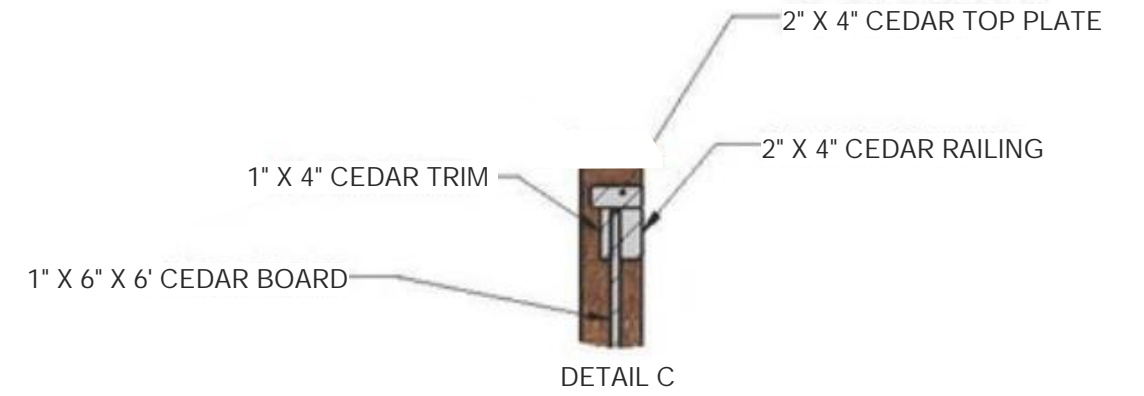
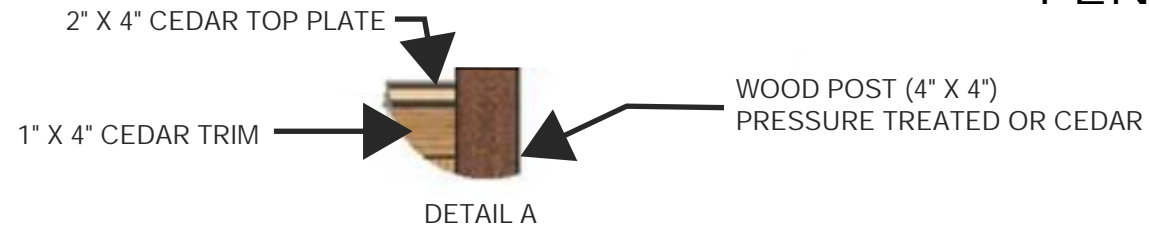
PIONEER DESIGN GROUP, INC.

CIVIL • PLANNING • SURVEY • LANDSCAPE

P 503.643.8286 www.pd-grp.com
9020 SW Washington Square Rd Suite 170
Portland, Oregon 97223

VINEYARD PHASE 1 TOWNHOMES - DESIGN REVIEW 2

FENCE SPECIFICATIONS



Example of Proposed Fence Type Constructed by the Applicant

